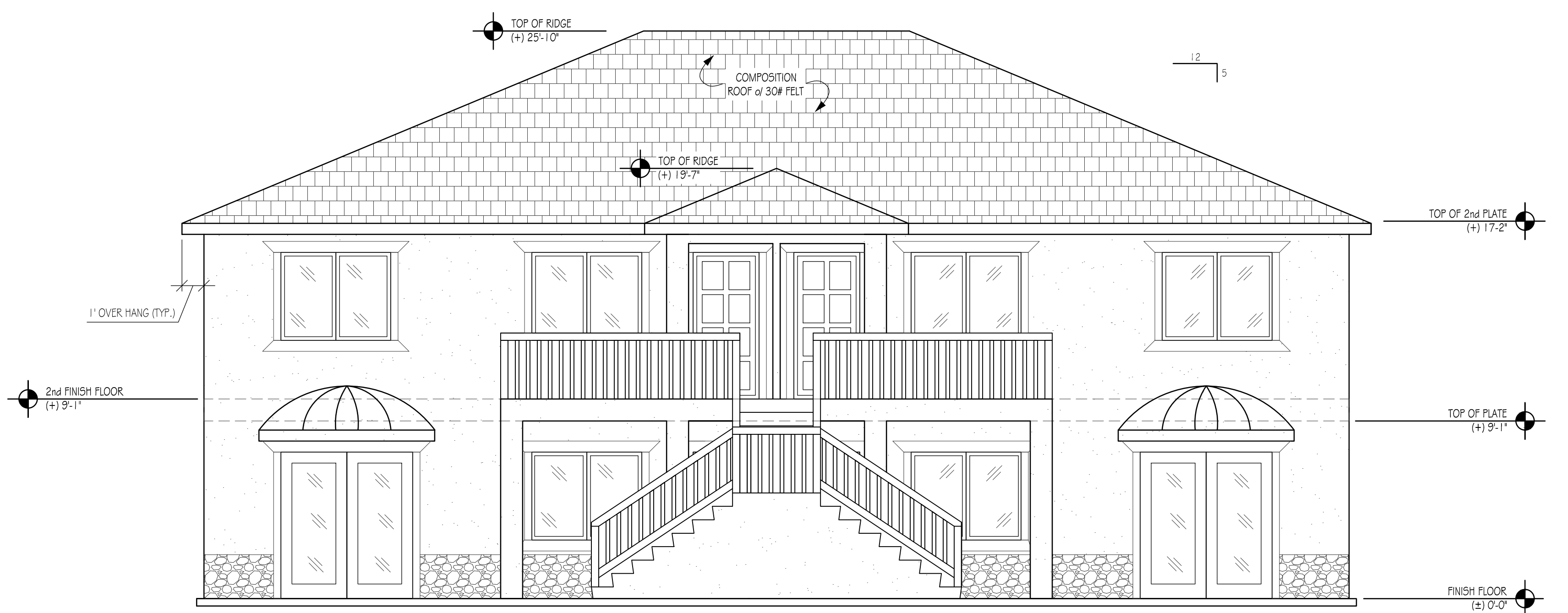
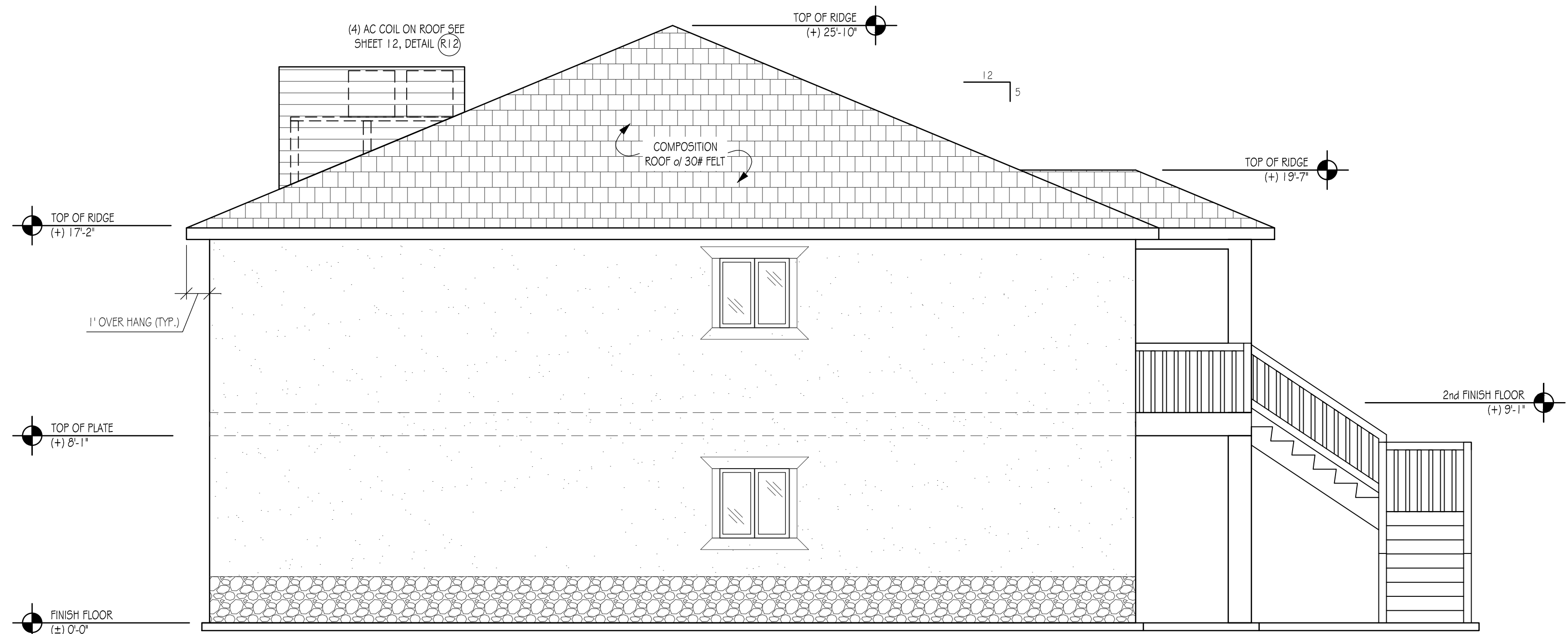


REAR (NORTHEAST) ELEVATION
SCALE: 1/4" = 1'-0"

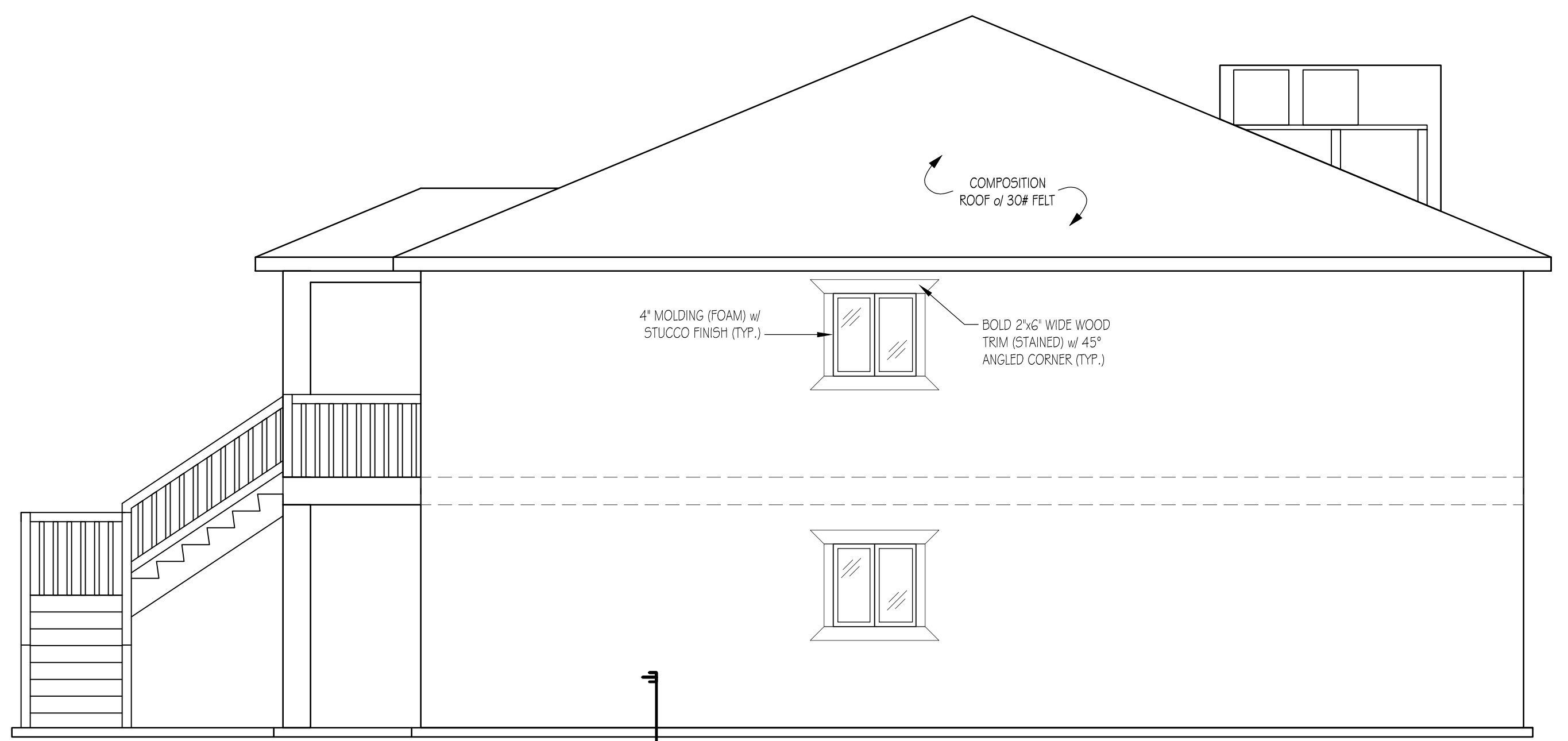
A
14



FRONT (SOUTHWEST) ELEVATION
SCALE: 1/4" = 1'-0"

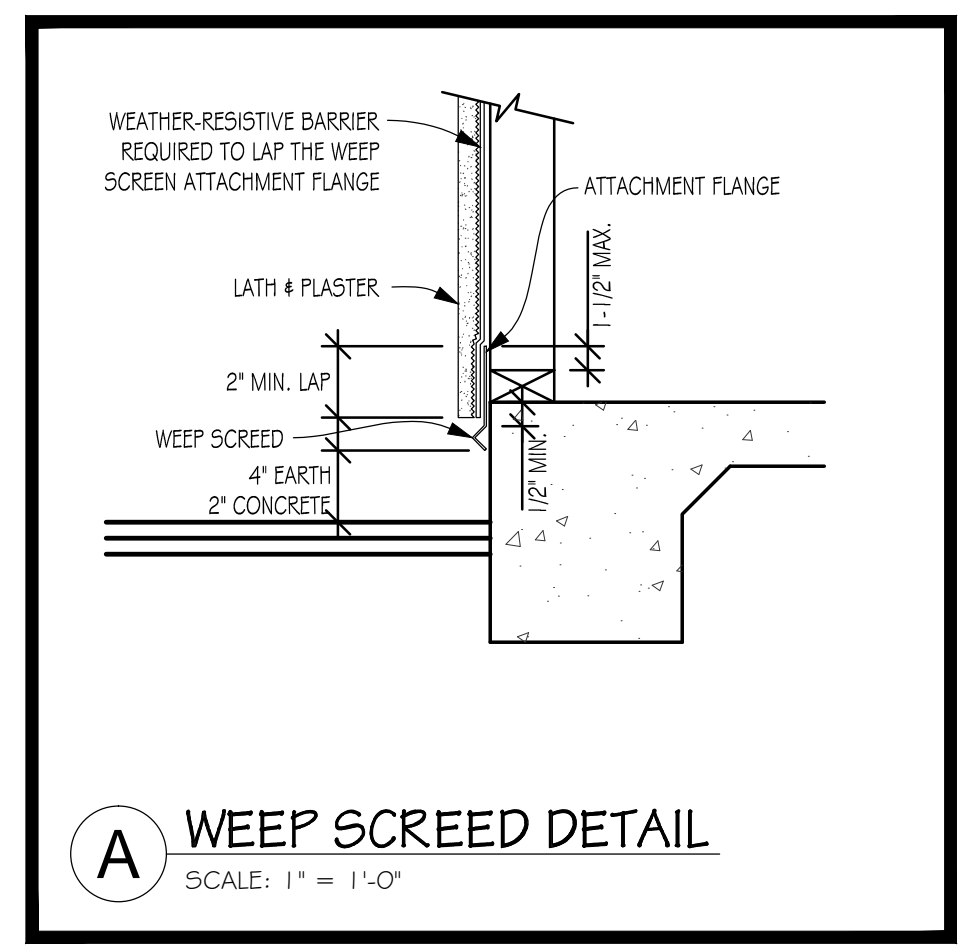


LEFT (NORTHWEST) ELEVATION
SCALE: 1/4" = 1'-0"



RIGHT (SOUTHEAST) ELEVATION
SCALE: 1/4" = 1'-0"

A
14

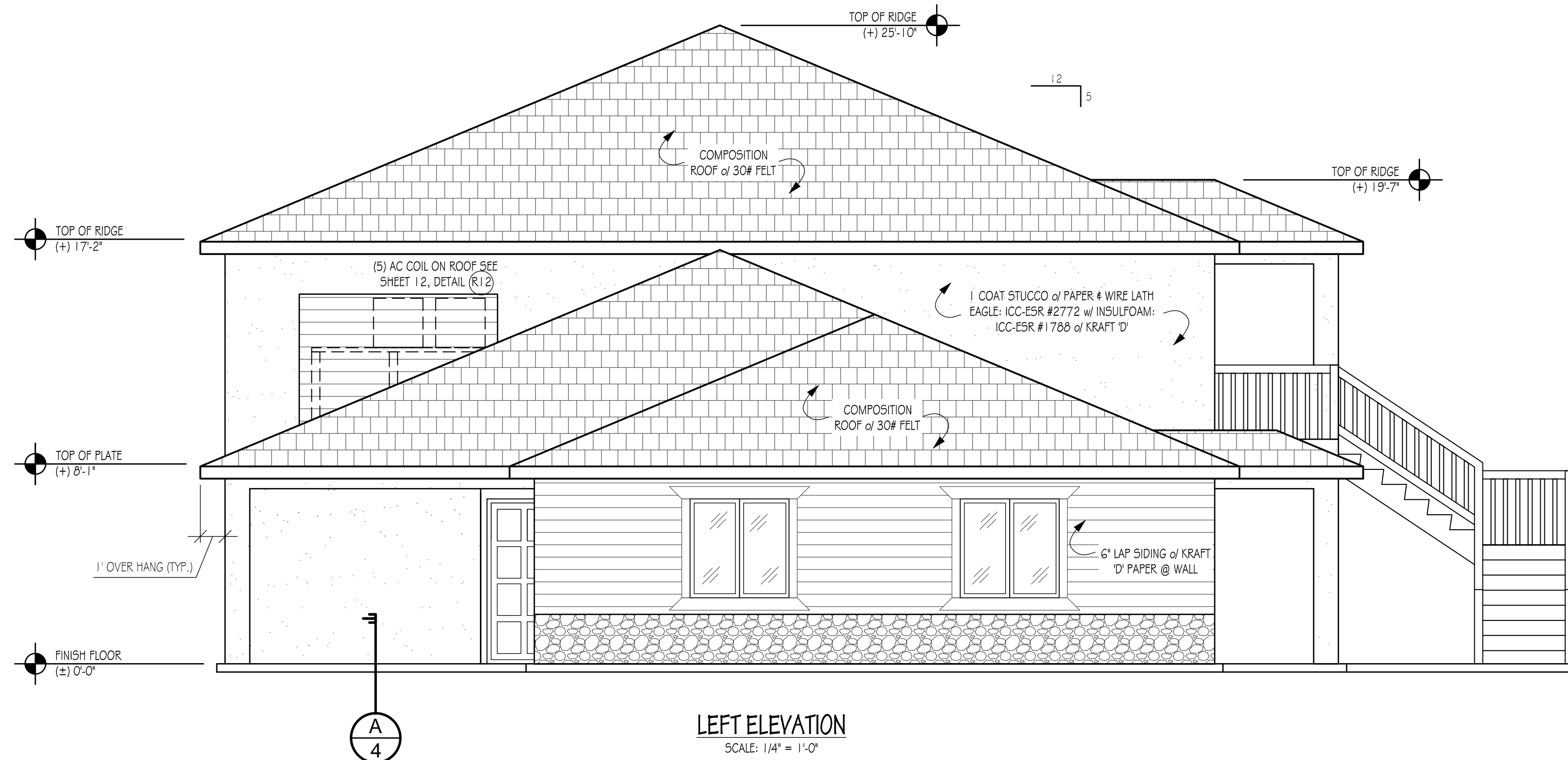


A WEEP SCREED DETAIL
SCALE: 1" = 1'-0"

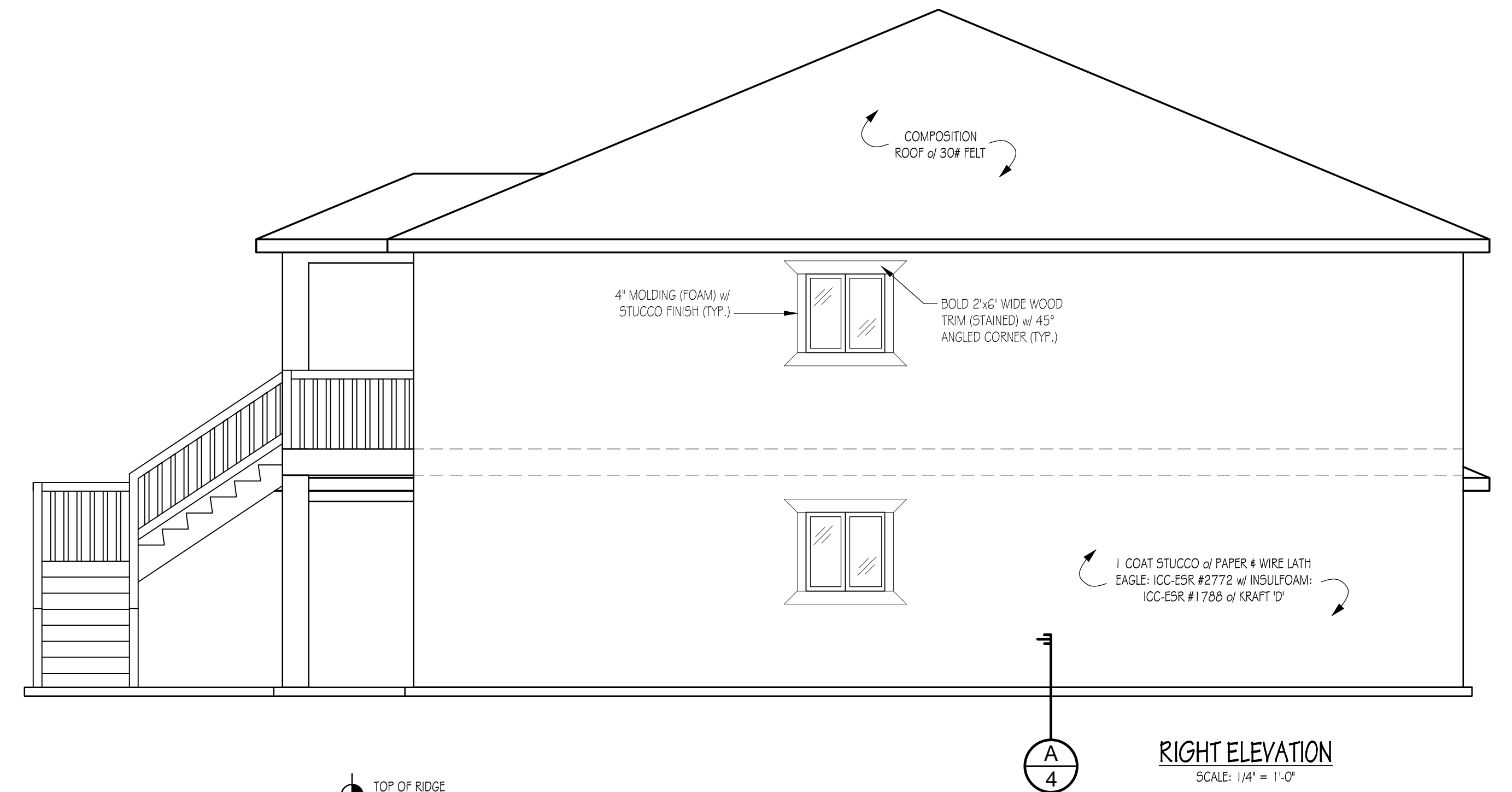
BUILDING B - ELEVATIONS

CONSTRUCTION COMPANY: CEN CAL BUILDERS 3497 E. INTERNATIONAL CLOVIS, CA 93619 Phone (559) 225-6697 LIC. #864492		DATE 01-30-2019
OWNER INFORMATION: TOMMY PHELEN 15040 B STREET FRESNO, CA 93706 (559) 225-6697		SCALE 1/4" = 1'-0"
DESIGNER: TERRA BELLA Residential Design Agency 802 W. Pinedale Suite #101 Fresno, CA. 93711 Email: terrabelladesign@gmail.com Phone (559) 241-0825 Fax (559) 322-2077		JOB NO. 17-1002 SHEET 14 OF 26 SHEETS

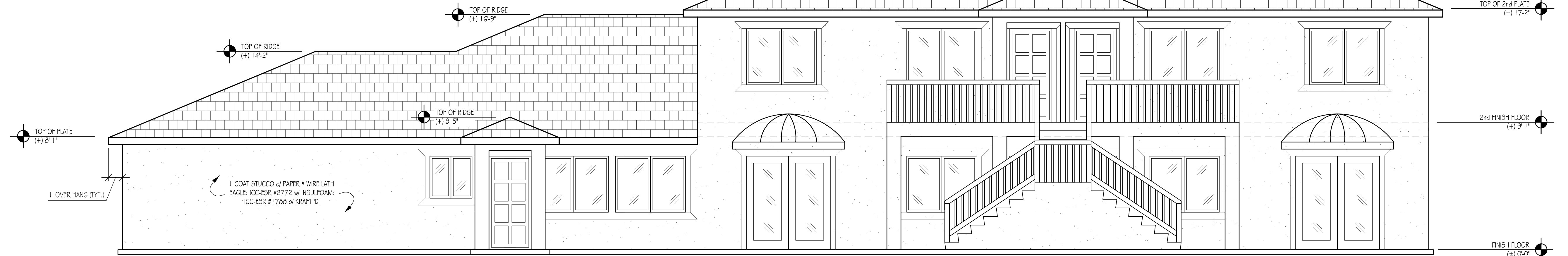
CEN CAL BUILDERS - 14 UNIT LIVING COMPLEXES ON 'B' STREET



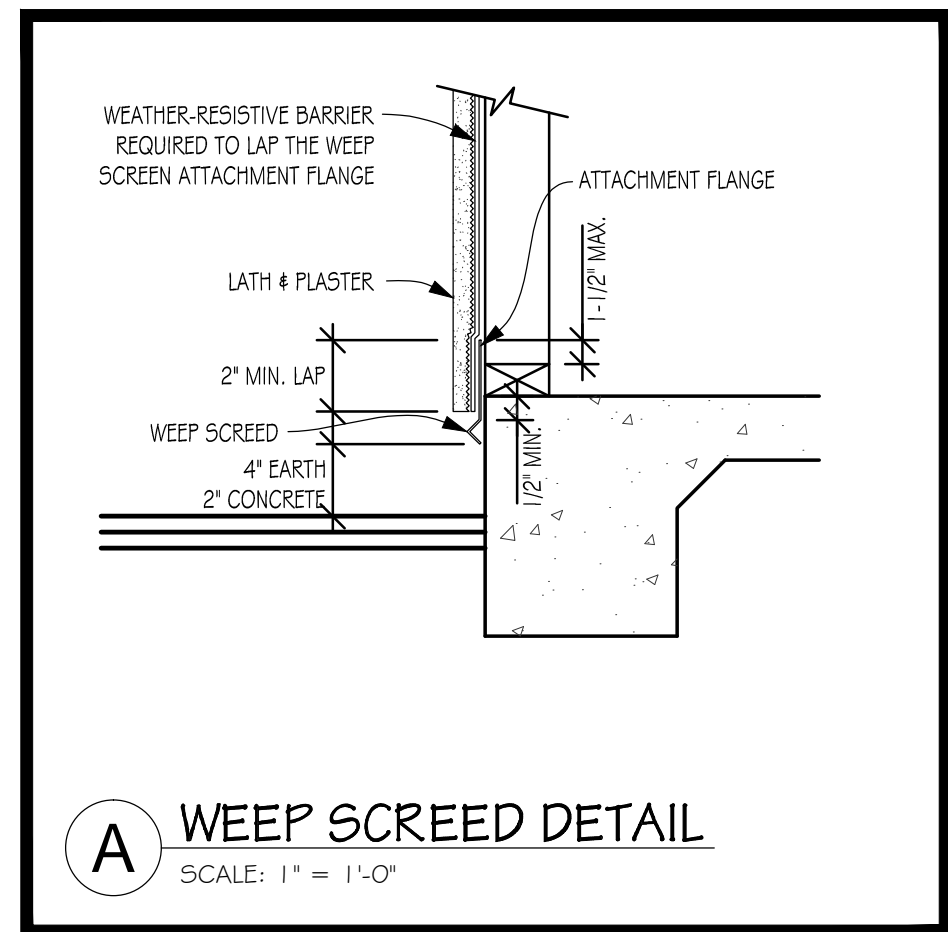
LEFT ELEVATION
SCALE: 1/4" = 1'-0"



RIGHT ELEVATION
SCALE: 1/4" = 1'-0"



FRONT ELEVATION
SCALE: 1/4" = 1'-0"



A WEEP SCREED DETAIL
SCALE: 1" = 1'-0"



REAR ELEVATION
SCALE: 1/4" = 1'-0"

BUILDING A - ELEVATIONS

CONSTRUCTION COMPANY: CEN CAL BUILDERS 3497 E. INTERNATIONAL CLOVIS, CA 93619 Phone (559) 225-6697 LIC. #864492		DATE 01-30-2019 SCALE 1/4" = 1'-0" JOB NO. 17-1002 SHEET 4
OWNER INFORMATION: TOMMY PHELEN 15040 B STREET FRESNO, CA 93706 (559) 225-6697		
DESIGNER: TERRA BELLA Residential Design Agency 802 W. Pinedale Suite #101 Fresno, CA. 93711 Email: terrabelladesign@gmail.com Phone (559) 241-0825 Fax (559) 322-2077		OF 26 SHEETS

CEN CAL BUILDERS - 14 UNIT LIVING COMPLEXES ON 'B' STREET