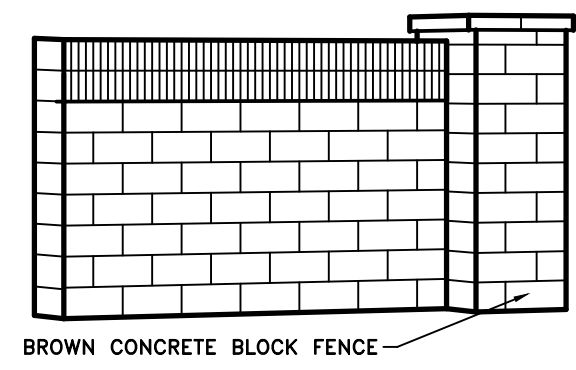


STUCCO NOTES:

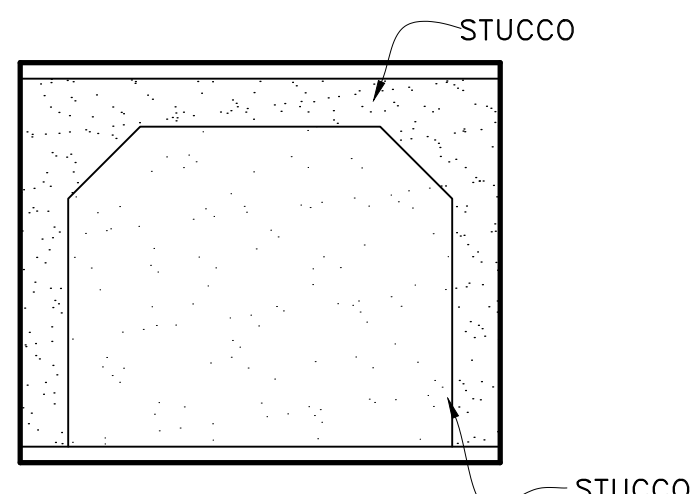
A) PROVIDE ONLY ONE COLOR OF DASH COAT OVER ENTIRE STORAGE WALL, INCLUDING ARCHES, AND COLUMNS. DERRREL'S EMPLOYEES WILL PUT ACCENT COLOR COAT OVER ARCHES, AND COLUMNS AFTER ENTIRE WALL IS DASHED ONE COLOR BY STUCCO CONTRACTOR.

B) ALL CORNERS TO HAVE CORNER AID. WEEP SCREED AT BOTTOM OF WALL.

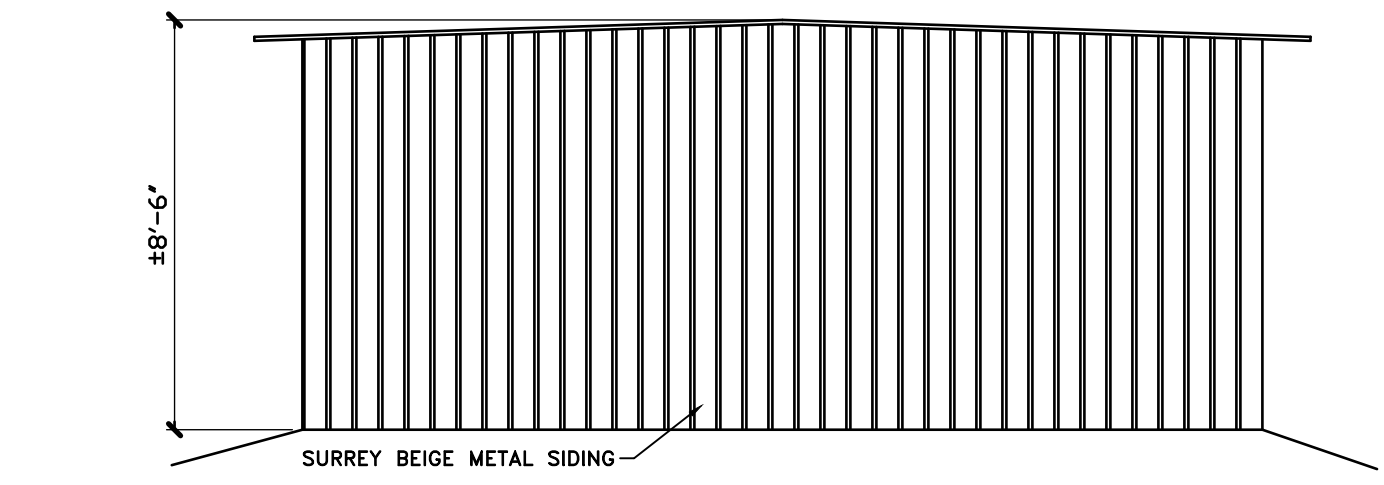
C) COLORS TO BE BLUE EAGLE BRAND E-67 COCOA LATTE w/ ACCENT COLOR DURATEC 2 DOTCOM #2030403F.



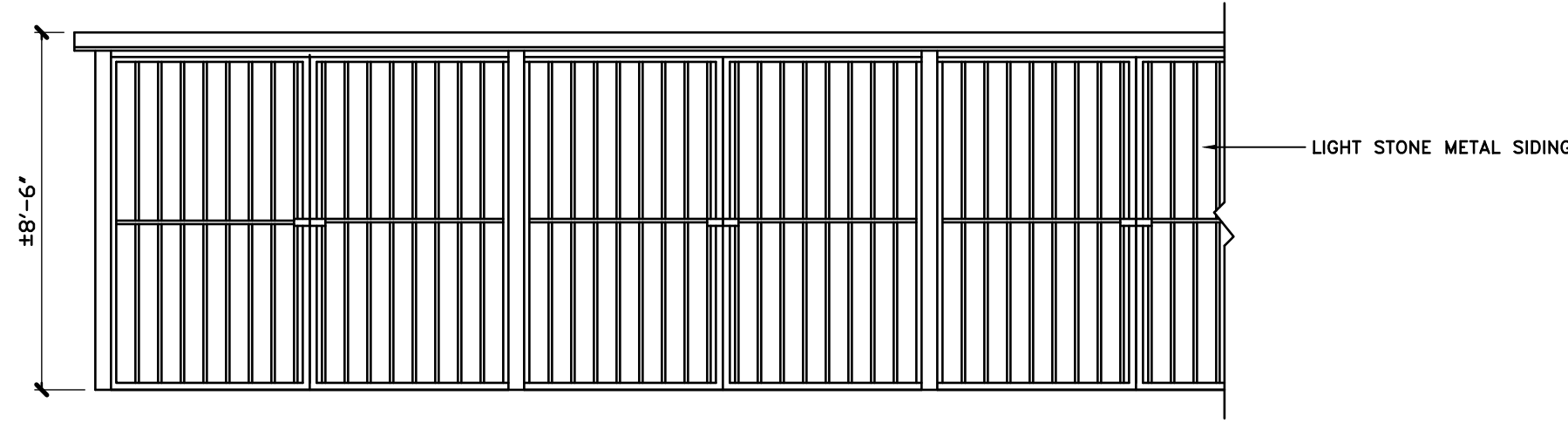
TYPICAL FENCE SECTION



TYPICAL END WALL ELEVATION



FACILITY INTERIOR – END ELEVATION OF STORAGE (TYP.)



FACILITY INTERIOR – SIDE ELEVATION OF STORAGE (TYP.)

REVISIONS:

DERRELS **Mini STORAGE**

3265 W ASHLAN AVE FRESNO CA 93722 (559) 274-9900

APPROVALS

Z:\CADfiles\Projects\6_Belmont\Expansion\R2.dwg
 Date: December 10, 2018
 Scale: 1/4" = 1'-0"
 Drawn By: J. L.
 Project: Exterior Elevations
 Fresno
 1800 W. Belmont Ave.
 Sheet: **R-2**